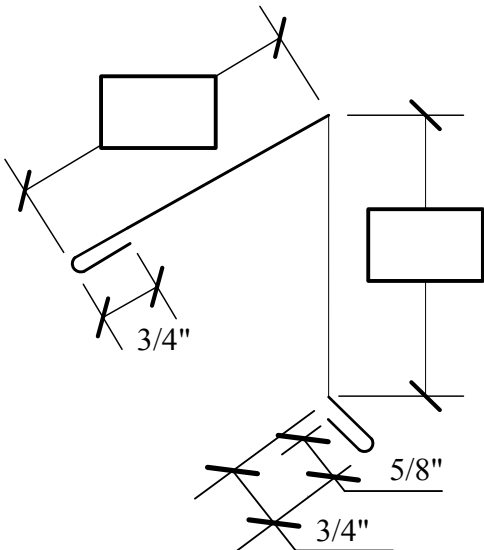
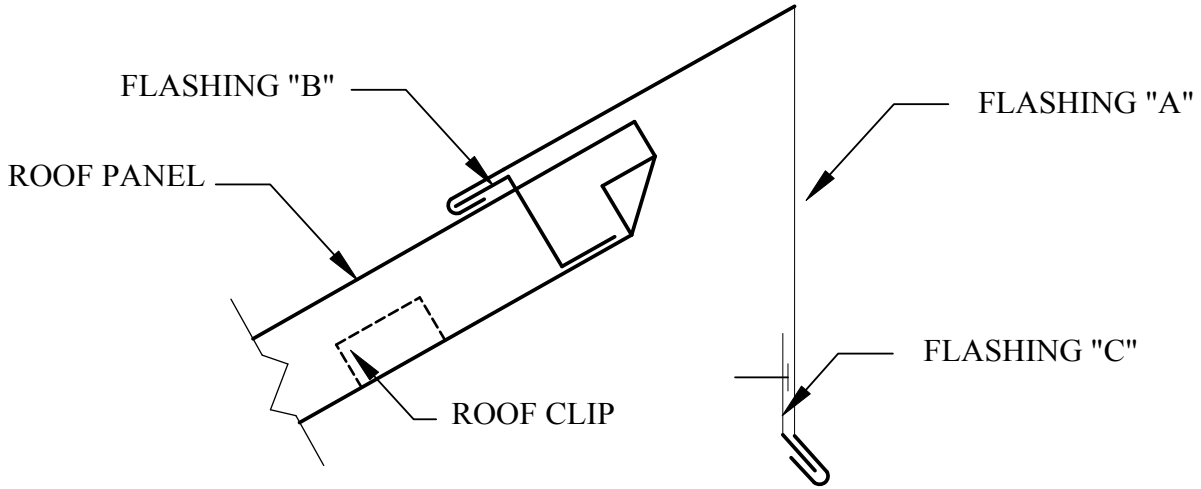


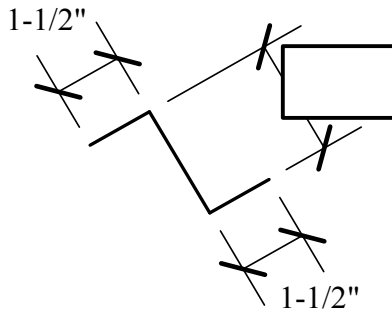
# PEAK TO WALL DETAIL 61



FLASHING "A"

LIN. FT. \_\_\_\_\_

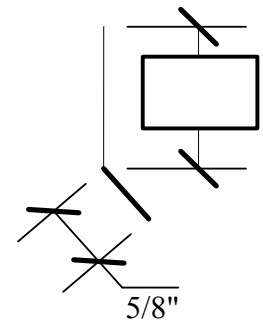
COLOR \_\_\_\_\_



FLASHING "B"

LIN. FT. \_\_\_\_\_

COLOR \_\_\_\_\_



FLASHING "C"

LIN. FT. \_\_\_\_\_

COLOR \_\_\_\_\_

PROJECT:	ACCEPTED BY:
CUSTOMER:	ROOF PITCH :12
P.O. NO.	SHEET OF

## CHARLESTON METALWORKS, LLC

PO BOX 61240 N. CHARLESTON, SC 29419 (843)572-0899 FAX: (843)569-0902

REVISED: MAY 6, 1999