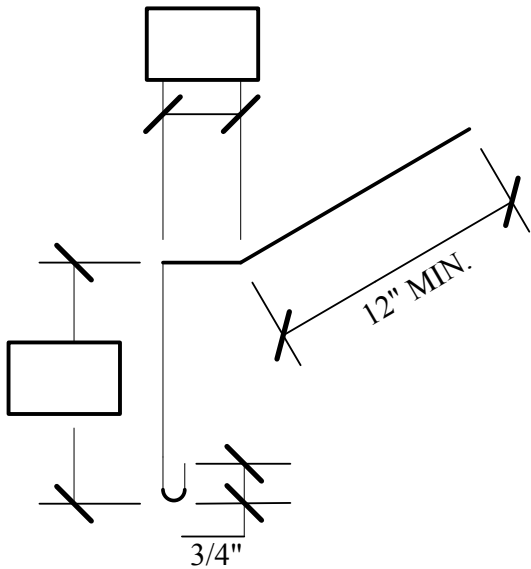
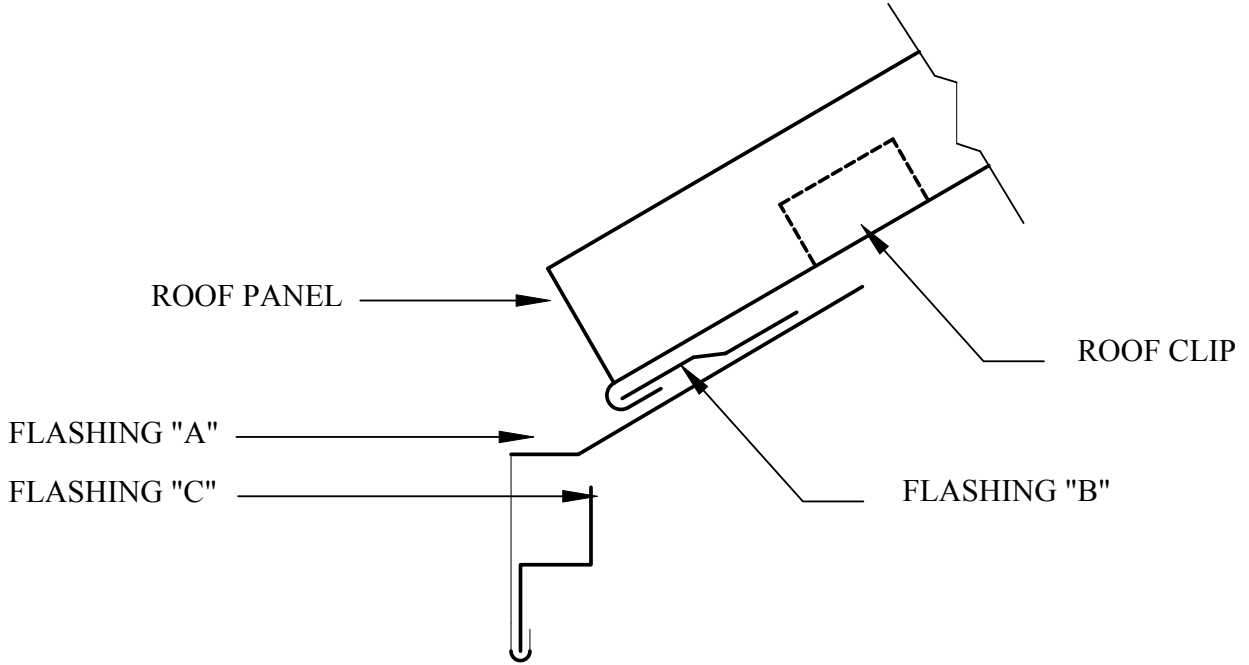


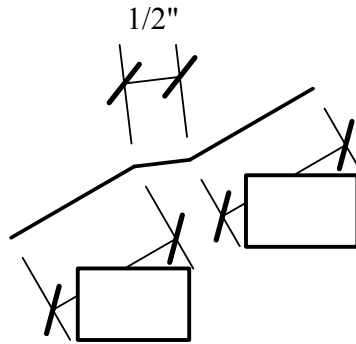
EAVE DETAIL 11



FLASHING "A"

LIN. FT. _____

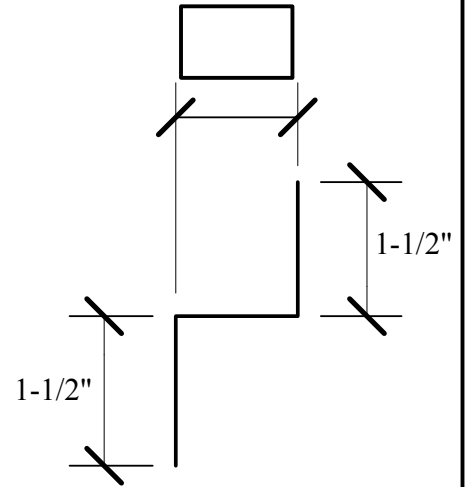
COLOR _____



FLASHING "B"

LIN. FT. _____

COLOR _____



FLASHING "C"

LIN. FT. _____

COLOR _____

PROJECT:	ACCEPTED BY:
CUSTOMER:	ROOF PITCH :12
P.O.NO.	SHEET OF

CHARLESTON METALWORKS, LLC

PO BOX 61240 N. CHARLESTON, SC 29419 (843)572-0899 FAX: (843)569-0902

REVISED: MAY 6, 1999